



Gulf Medical Fiberoptics

Illumination Systems



Instructions and Warranty Information

Gulf Medical Fiberoptics

200 Watt Illuminators

Gulf Medical Fiberoptics **200 Watt Illuminators**

Features:

- Powerful 200-watt quartz halogen lamp
- Light filter setting for work with light sensitive material
- Thermostatically controlled fan
- Small footprint



Important Information:

- Light source energized when line cord is connected
- Lamp extremely hot when in operation
- Illuminator should be unplugged from the outlet when working on the light unit
- Do not use the unit in the presence of flammable anesthetics
- Keep illuminator free of dust and dirt
- Keep area around the unit free of blockage or obstruction
- Outside surface can be cleaned with damp (not wet) cloth and mild detergent

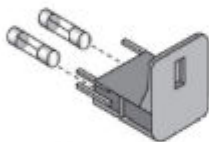
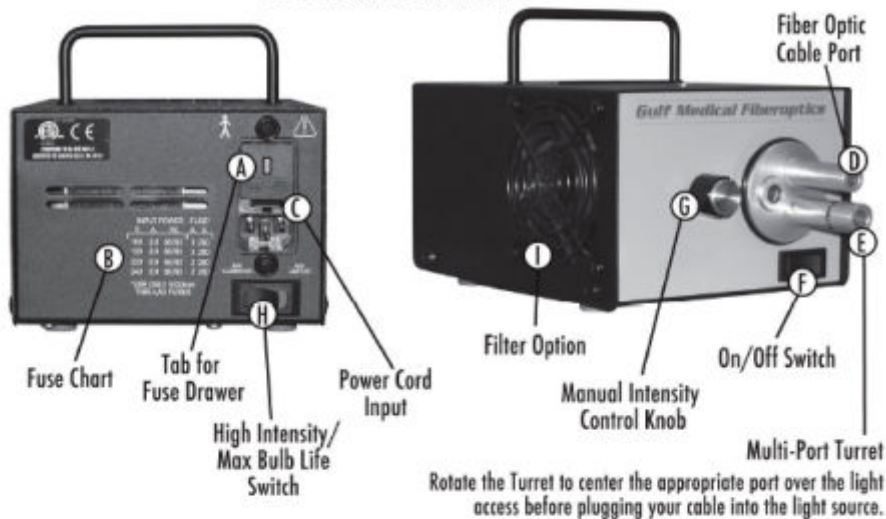
Attention: The Illuminator contains an "Over Temperature Safety Device" to protect against excessive heat build up in the event of fan failure or blockage of the air-flow. The unit will turn off if the light source exceeds the preset maximum interior temperature. The safety switch will automatically reset once the interior has cooled. If the safety switch fails to reset, it is important to turn the unit off and disconnect the power cord preventing further damage to the unit and call Gulf Medical Fiberoptics for service.

Operating Instructions:

- STEP 1 Connect power cord on the rear of the light source C.
- STEP 2 Plug power cord into the electrical outlet.
- STEP 3 Insert fiber optic cable into port D on the illuminator.
- STEP 4 Turn on the lamp with the On/Off switch F .
Thermostatically controlled fan will engage when the unit has reached the pre-set temperature
- STEP 5 Select level of light intensity by adjusting Intensity Control Knob G.
- STEP 6 Select High Intensity or Max Lamp Life option H* .
- STEP 7 Select filter option if required I.
- STEP 8 When procedure is completed, switch the unit off F.
The fan will automatically shut off when the unit has cooled to the pre-set temperature.

*Max Intensity Setting delivers a minimum bulb life of 50 hours of use.
Max Lamp Life Setting delivers a minimum bulb life of 100 hours of use.

200 Watt Illuminator



Changing the Fuses

If the light source will not function properly, first check: the bulb, electrical outlet and all connections. If these areas check out, check the fuses at the rear of the light source.

Certification:

ETL Certified to UL 2601
 cETL Certified to CAN/CSA C22.2
 No.601.1: EN 55011 (CISPR 11)
 IEC 801-2 & 4. IEC 801-3; IEC 801-5

Specifications:

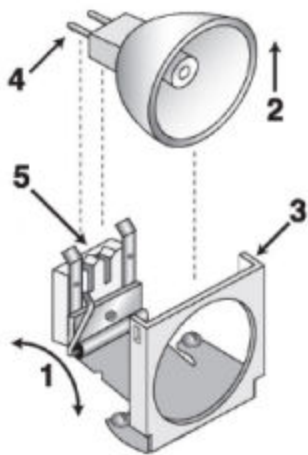
Size: 7 1/2" L x 5 1/2" W x 4 1/8" H
 190.0mm x 139.7mm x 104.7mm
 Voltage: Variable 100 - 240v 50/60 Hz
 Weight: 6 3/4 lbs / 3.06 Kg
 Lamp: EJL 200 watt, 24 Volt, Quartz Halogen

Changing the Fuses

- STEP 1 Turn off the light source (on/off switch)
- STEP 2 Unplug power cord from the electrical outlet
- STEP 3 Remove the fuse drawer by pushing up on tab (A) with small screwdriver
- STEP 4 Slide out the drawer
- STEP 5 Replace fuse(s) if needed
- STEP 6 Select proper current rating. Check the chart on the rear of the unit for proper replacement fuse
- STEP 7 Slide the fuse drawer back in - it will click into place
- STEP 8 Plug the light source back in

Changing the Voltage

- STEP 1 Remove the fuse drawer by pushing up on tab (A)
- STEP 2 Gently remove the white voltage regulator located above the fuses
- STEP 3 Locate the prong of the regulator bearing the imprint of the desired voltage and reinsert the regulator with that prong facing out
- STEP 4 Replace the fuses with the appropriate ones as listed on the fuse chart (B) and replace the fuse cover



Changing the Lamp

Note: Use only 200w, 24v, EJL Lamps available through Gulf Medical Fiberoptics.

- STEP 1 Turn off the light source (on/off switch)
- STEP 2 Allow the lamp to cool (the automatic fan will shut off)
- STEP 3 Unplug power cord from the electrical outlet
- STEP 4 Open access door on top of the light source
- STEP 5 Push lever (1) toward the rear of the light source. Lamp will rise out of the base
- STEP 6 Remove the old lamp (2) from the light source
- STEP 7 Reposition the lever (1) to the forward position

- STEP 8 Fit the new lamp into the wire guides (3) and slide the posts (4) into the slots of the ceramic base (5) (one post in each slot)
- STEP 9 Gently push the lamp down until it's seated in the ceramic base

Close and secure the bulb access door and plug the unit back in.
Your light source is now ready for use.

Warranty and Repair Information

The Gulf Medical Fiberoptics Illumination Systems are warrantied against manufacturer defect for three (3) years from the date of original purchase with the exception of the bulb included with your order.

The following terms and conditions apply:

Gulf Medical Fiberoptics reserves the right to determine the cause of any problem.

The customer is responsible for shipping charges to Gulf Medical Fiberoptics for repair service.

Process for obtaining repair service: First contact Gulf Medical Fiberoptics for an RMA number.

An RMA number must be assigned prior to return of any item for repair.

Items must be sent to the following address:

Gulf Medical Fiberoptics

Gulf Medical Fiberoptics, Inc.
448 Commerce Blvd.
Oldsmar, FL 34677 U.S.A.

Phone: +1 813.855.6618
Fax: +1 813.855.6627
www.gulffiberoptics.com